

GRAM

KS 3406-90F/FX

Refrigerator

User Guide



Please read this manual first!

Dear Customer,

We hope that your product, which has been produced in modern plants and checked under the most meticulous quality control procedures, will provide you an effective service.

For this, we recommend you to carefully read the entire manual of your product before using it and keep it at hand for future references.




This manual

- Will help you use your appliance in a fast and safe way.
- Read the manual before installing and operating your product.
- Follow the instructions, especially those for safety.
- Keep the manual in an easily accessible place as you may need it later.
- Besides, read also the other documents provided with your product.

Please note that this manual may be valid for other models as well.

Symbols and their descriptions

This instruction manual contains the following symbols:

-  Important information or useful usage tips.
-  Warning against dangerous conditions for life and property.
-  Warning against electric voltage.



This product is supplied with the selective sorting symbol for waste electrical and electronic equipment (WEEE).

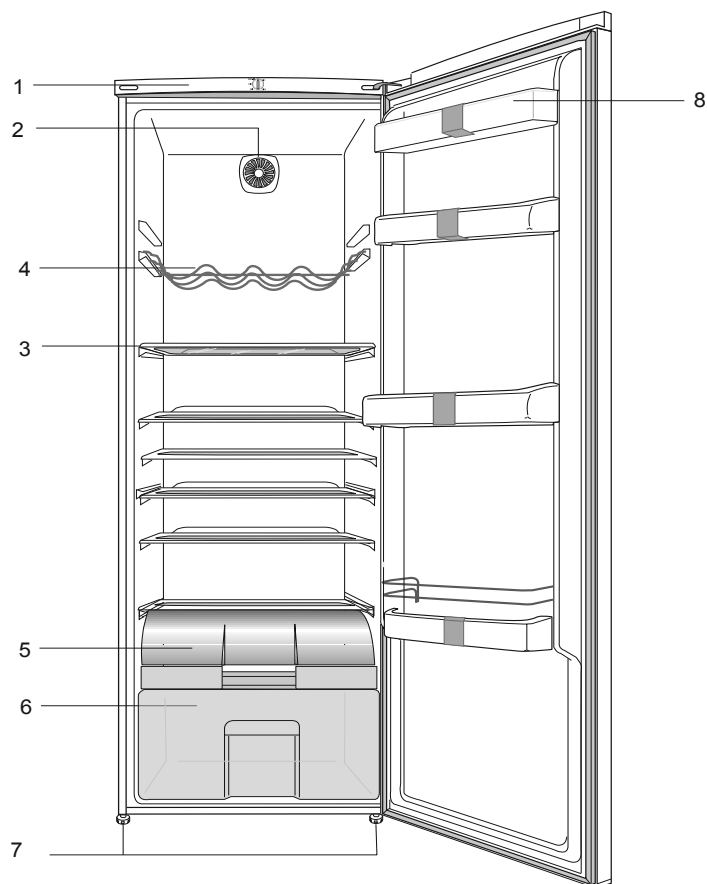
This means that this product must be handled pursuant to European Directive 2002/96/EC in order to be recycled or dismantled to minimise its impact on the environment. For further information, please contact your local or regional authorities.

Electronic products not included in the selective sorting process are potentially dangerous for the environment and human health due to the presence of hazardous substances.

CONTENTS

1 Your refrigerator	3	4 Preparation	10
2 Important Safety Warnings	4	5 Using your refrigerator	11
Intended use	4	Using interior equipment.....	11
General safety	4	Glass shelves: Distance between the shelves can be adjusted when necessary.	11
Child safety.....	6	Cooling.....	12
HCA Warning	6	Placing the food	12
Things to be done for energy saving ..	6	Air system Fan.....	13
		FreshZone	13
3 Installation	7	6 Maintenance and cleaning	14
Points to be considered when re- transporting your refrigerator	7	Protection of plastic surfaces	14
Before operating your refrigerator	7		
Adjusting the feet.....	8	7 Recommended solutions for the problems	15
Disposing of the packaging	8		
Disposing of your old refrigerator	8		
Placing and Installation	8		
Reversing the door	9		
Proceed in numerical order.	9		

1 Your refrigerator



- | | |
|--------------------|--------------------------|
| 1. Control Panel | 5. FreshZone |
| 2. Fan | 6. Vegetable drawer |
| 3. Movable shelves | 7. Adjustable front feet |
| 4. Wine rack | 8. Doorshelves |

i Figures that take place in this instruction manual are schematic and may not correspond exactly with your product. If the subject parts are not included in the product you have purchased, then it is valid for other models.

2 Important Safety Warnings

Please review the following information. If these are not followed, personal injury or material damage may occur. Otherwise, all warranty and reliability commitments will become invalid.

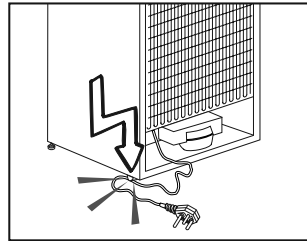
Intended use

- This product is designed for domestic use.
- It should not be used outdoors. It is not appropriate to use it outdoor even if the place is covered with a roof.

General safety

- When you want to dispose/scrap the product, we recommend you to consult the authorized service in order to learn the required information and authorized bodies.
- Consult GRAM service for all your questions and problems related to the refrigerator. Do not intervene or let someone intervene to the refrigerator without notifying the authorized services.
- Do not eat cone ice cream and ice cubes immediately after you take them out of the freezer compartment! (This may cause frostbite in your mouth.)
- Do not put bottled and canned liquid beverages in the freezer compartment. Otherwise, these may burst.
- Do not touch frozen food by hand; they may stick to your hand.
- Vapor and vaporized cleaning materials should never be used in cleaning and defrosting processes of your refrigerator. In such cases, the vapor might get in contact with the electrical parts and cause short circuit or electric shock.
- Never use the parts on your refrigerator such as the door as a means of support or step.
- Do not use electrical devices inside the refrigerator.
- Do not damage the cooling circuit, where the refrigerant is circulating, with drilling or cutting tools. The refrigerant that might blow out when the gas channels of the evaporator, pipe extensions or surface coatings are punctured may cause skin irritations and eye injuries.
- Do not cover or block the ventilation holes on your refrigerator with any material.
- Repairs of the electrical appliances must only be made by qualified persons. Repairs performed by incompetent persons may create a risk for the user.
- In case of any failure or during a maintenance or repair work, disconnect your refrigerator's mains supply by either turning off the relevant fuse or unplugging your appliance.
- Do not pull by the cable when pulling off the plug.
- Place the beverage with higher proofs tightly closed and vertically.
- Flammable items or products that contain flammable gases (e.g. spray) as well as the explosive materials should never be kept in the appliance.
- Do not use mechanical devices or other means to accelerate the defrosting process, others than those recommended by the manufacturer.

- Do not operate a damaged refrigerator. Consult GRAM service if you have any doubts.
- Electrical safety of your refrigerator shall be guaranteed only if the earth system in your house complies with standards.
- Exposing the product to rain, snow, sun and wind is dangerous with respect to electrical safety.
- Contact the GRAM service when there is a power cable damage and etc. so that it will not create a danger for you.
- Never plug the refrigerator into the wall outlet during installation. Otherwise, risk of death or serious injury may arise.
- This refrigerator is designed solely for storing food. It should not be used for any other purposes.
- The label that describes the technical specification of the product is located on the inner left part of the refrigerator.
- Do not hook up the refrigerator to electronic energy saving systems as it may damage the product.
- If the power supply is disconnected in manually controlled refrigerators please wait for at least 5 minutes before reconnecting the power.
- This product manual should be passed to the next owner of the refrigerator if the owner changes.
- When moving the refrigerator make sure that you do not damage the power cord. In order to prevent fire the power cord should not be twisted. Heavy objects should not be placed on the power cord. When the refrigerator is being plugged do not handle the power outlet with wet hands.



- Do not plug the refrigerator if the electric outlet is loose.
- Do not splash water directly on the outer or inner parts of the refrigerator due to safety.
- Do not spray inflammable materials such as propane gas etc near refrigerator due to the risk of fire and explosion.
- Do not place objects filled with water on top of the refrigerator as it may result in electric shock or fire.
- Do not overload the refrigerator with excess food. The excess food may fall when the door is opened resulting in injuring you or damaging the refrigerator. Do not place objects on top of the refrigerator as the objects may fall when opening or closing the refrigerator door.
- Materials that require certain temperature conditions such as vaccine, temperature sensitive medicines, scientific materials etc should not be kept in refrigerator.
- If refrigerator will not be operated for an extended period of time it should be unplugged. A problem in electrical cable insulation may result in fire.
- The refrigerator may move when the adjustable feet is not positioned firmly on the floor. Using the adjustable feet you can ensure that the refrigerator is positioned firmly on the floor.

- Do not pull the refrigerator via door handle when moving the product as it may disconnect the handle from the refrigerator.
- Otherwise condensation may occur on the side walls facing each other.

Child safety

- Children should be supervised to ensure that they do not play with the appliance

HCA Warning

- **Your product is equipped with a cooling system that contains R600a:**

This gas is flammable. Therefore, pay attention to not damaging the cooling system and piping during usage and transportation. In the event of damage, keep your product away from potential fire sources that can cause the product catch a fire and ventilate the room in which the unit is placed.

Things to be done for energy saving

- Do not leave the door of your refrigerator open for a long time.
- Do not overload your refrigerator so that the air circulation inside of it is not prevented.
- Do not install your refrigerator under direct sunlight or near heat emitting appliances such as ovens, dishwashers or radiators.
- Pay attention to keep your food in closed containers.

3 Installation

⚠ Please remember that the manufacturer shall not be held liable if the information given in the user guide is not observed.

Points to be considered when re-transporting your refrigerator

1. Your refrigerator must be emptied and cleaned prior to any transportation.
2. Shelves, accessories, and etc. have to be fastened securely by adhesive tape against any jolt before repackaging.
3. Packaging must be tied with thick tapes and strong ropes and the rules of transportation printed on the package must be followed.

Please do not forget...

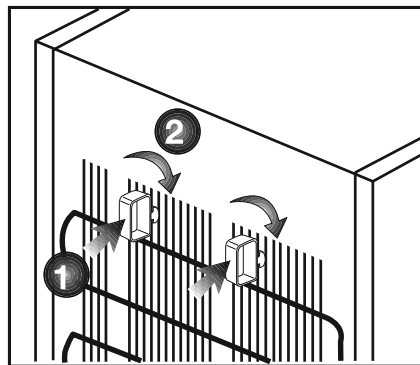
That recycled material is an indispensable source for the nature and for our national resources. If you would like to contribute to the recycling of the packaging materials, you can get further information from the environmental bodies or local authorities.

Before operating your refrigerator

Before starting to use your refrigerator check the following:

1. The interior of the refrigerator has to be dry and it is possible for the air to circulate freely at the back of the appliance.
2. You can install the 2 spacers as illustrated in the figure. Spacers will provide the required distance between your refrigerator and the wall in order to allow the air circulation.

(The illustrated figure is only an example and does not match exactly with your product.)




3. Clean the interior of the refrigerator as recommended in the "Maintenance and cleaning" section.
4. Plug the refrigerator into the outlet. When the door is open the interior light in the refrigerator compartment will be switched on.
5. You will hear a noise as the compressor starts up. The liquid and gases sealed within the refrigeration system may also give rise to noise, even if the compressor is not running and this is quite normal.
6. The front edges of the refrigerator may feel warm. This is normal. These areas are designed to be warm to avoid condensation.

Electric connection

Connect your product to a grounded socket which is being protected by a fuse with the appropriate capacity.

Important:

- The connection must be in accordance with national regulations.
- The power cable plug must be easily accessible after installation.
- Extension cords and connectors must not be used for connection.

 A damaged power cable must be replaced by a qualified electrician.

Disposing of the packaging

The packaging may be dangerous for children. Keep it out of the reach of children or dispose of it by classifying it in accordance with the waste instructions. Do not dispose of it together with the normal household waste.

The packaging of your refrigerator is made from recyclable materials.

Disposing of your old refrigerator

Dispose of your old refrigerator without harming to the environment.

- You may consult your authorized retailer or the recycling depot in your municipality about the disposal of your refrigerator.

Before disposing of your refrigerator, cut out the electric plug and, if there are any locks on the door, make them inoperable in order to protect children against any danger.

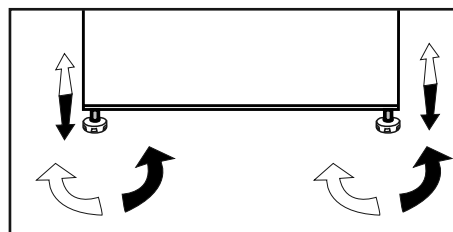
Placing and Installation

1. Install your refrigerator in a place that allows ease of use.
2. There must be appropriate air ventilation around your refrigerator in order to achieve an efficient operation.
3. Place your refrigerator on an even floor surface to prevent jolts.
4. Do not keep your refrigerator in ambient temperatures under 10°C.

Adjusting the feet

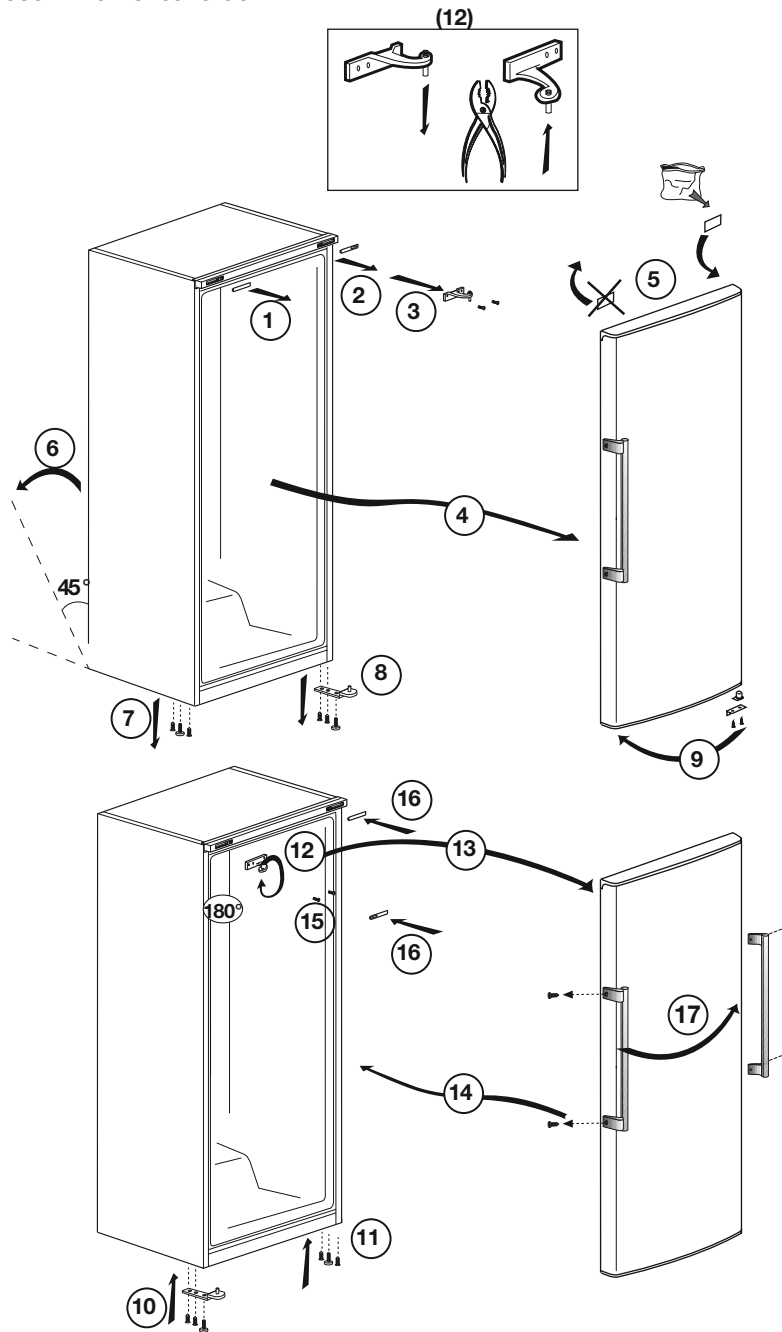
If your refrigerator is unbalanced;

You can balance your refrigerator by turning the front legs as shown in the illustration below. The corner where the leg exists is lowered when you turn it in the direction of black arrow and raised when you turn in the opposite direction. Taking help from someone to slightly lift the refrigerator will facilitate this process.



Reversing the door

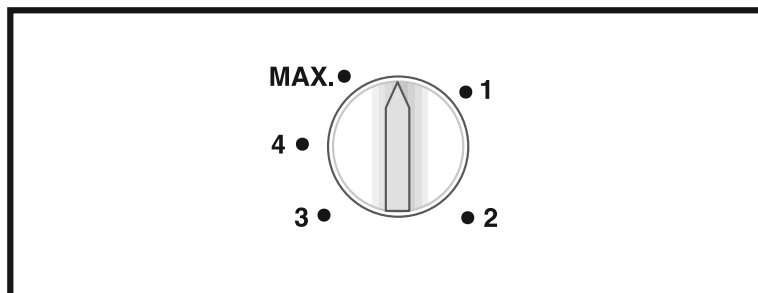
Proceed in numerical order.



4 Preparation

- i** Your refrigerator should be installed at least 30 cm away from heat sources such as hobs, ovens, central heater and stoves and at least 5 cm away from electrical ovens and should not be located under direct sunlight.
- i** The ambient temperature of the room where you install your refrigerator should at least be 10°C. Operating your refrigerator under cooler conditions than this is not recommended with regard to its efficiency.
- i** Please make sure that the interior of your refrigerator is cleaned thoroughly.
- i** When you operate your refrigerator for the first time, please observe the following instructions during the initial six hours.
 - The door should not be opened frequently.
 - It must be operated empty without any food in it.
 - Do not unplug your refrigerator. If a power failure occurs out of your control, please see the warnings in the "Recommended solutions for the problems" section.
- i** Original packaging and foam materials should be kept for future transportations or moving.

5 Using your refrigerator



Thermostat knob

The thermostat knob is located on the top trim of the refrigerator.

Important:

When you adjust the set temperature, there may be a short delay before the compressor starts to operate. This is normal and not a compressor fault.

Using interior equipment

Glass shelves: Distance between the shelves can be adjusted when necessary.

Vegetable drawer: Vegetables and fruits can be stored in this compartment.

Door shelves: Bottles, jars and tins can be placed in these shelves.

Cooling

Food storage

The fridge compartment is for the short-term storage of fresh food and drinks.

Store milk products in the coldest part in the refrigerator.

Bottles can be stored on the bottle holder or in the doorshelf.

Raw meat is best kept in a polyethylene bag in the compartment at the very bottom of the refrigerator.

i Attention

Do not store explosive substances or containers with flammable propellant gases (canned cream, spray cans etc.) in the device. There is a danger of explosion.

Placing the food

Fridge compartment shelves	Food in pans, covered plates and closed containers
Fridge compartment door shelves	Small and packaged food or drinks (such as milk, fruit juice and beer)
Vegetable drawer	Vegetables and fruits

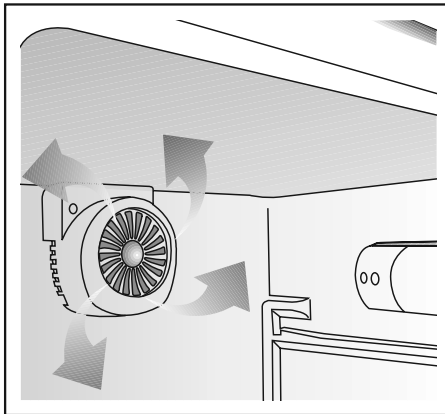
Defrosting of the fridge

The appliance defrosts automatically. The fridge has an automatic defrosting system. It means that it works in a cycle, where it refrigerates when there is frost on the back wall, and it defrosts when water runs down the back wall.

The frost formed on the back wall in the fridge compartment is removed automatically. During the defrosting cycle the water that contains impurity can block the plughole. If this happens, clean the plughole with a cotton bud.

Air system Fan

Air system fan is designed to ensure homogenous distribution and circulation of the cold air inside your refrigerator. Operation time of the turbo cooling fan may vary depending on the properties of your product. While the turbo fan works only with the compressor in some products, the control system determines its operation time in some products in accordance with the cooling requirement. This situation is explained on a separate warning and information label attached on the refrigerator in products equipped with turbo fans running under different conditions than the compressor.”

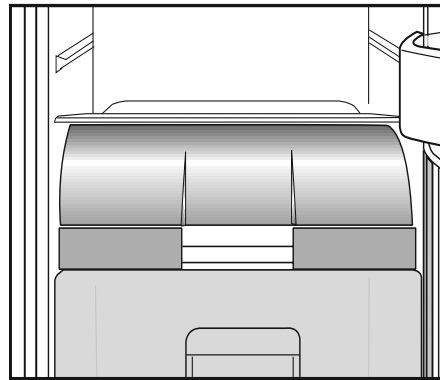


FreshZone

This compartment has been developed to store frozen food which would be thawed slowly (meat, fish, chicken, etc.) as required.

FreshZone is the coldest place of your refrigerator in which dairy products (cheese, butter), meat, fish or chicken may be kept at ideal storage conditions.

Also some vegetables and/or fruits can be placed in this compartment.



6 Maintenance and cleaning

- ⚠ Never use gasoline, benzene or similar substances for cleaning purposes.
- ⚠ We recommend that you unplug the appliance before cleaning.
- ⚠ Never use any sharp abrasive instrument, soap, household cleaner, detergent and wax polish for cleaning.
- ℹ Use lukewarm water to clean the cabinet of your refrigerator and wipe it dry.
- ℹ Use a damp cloth wrung out in a solution of one teaspoon of bicarbonate of soda to one pint of water to clean the interior and wipe it dry.
- ⚠ Make sure that no water enters the lamp housing and other electrical items.
- ⚠ If your refrigerator is not going to be used for a long period of time, unplug the power cable, remove all food, clean it and leave the door ajar.
- ℹ Check door seals regularly to ensure they are clean and free from food particles.
- ⚠ To remove door racks, remove all the contents and then simply push the door rack upwards from the base.

Protection of plastic surfaces

- ℹ Do not put the liquid oils or oil-cooked meals in your refrigerator in unsealed containers as they damage the plastic surfaces of your refrigerator. In case of spilling or smearing oil on the plastic surfaces, clean and rinse the relevant part of the surface at once with warm water.

7 Recommended solutions for the problems

Please review this list before calling the GRAM service. It might save you time and money. This list includes frequent complaints that are not arising from defective workmanship or material usage. Some of the features described here may not exist in your product.

The freezer does not operate.
<ul style="list-style-type: none">• Is the freezer properly plugged in? Insert the plug to the wall socket.• Is the fuse of the socket to which your freezer is connected to or the main fuse blown out? Check the fuse.
Condensation on the side wall of the freezer.
<ul style="list-style-type: none">• Very cold ambient conditions. Frequent opening and closing of the door. Highly humid ambient conditions. Leaving the door ajar. Switching the thermostat control to a colder temperature.• Decreasing the time the doors is left open or using it less frequently.• Wipe the condensation using a dry cloth and check if it persists.
The compressor is not running
<ul style="list-style-type: none">• In case of an electrical cut the freezer cannot start up right away as the compressor has to balance the refrigerant pressure in the cooling system of the freezer. The alignment of the refrigerant pressure will lead to a postponement of the start up by 6 minutes. Please contact GRAM service if the freezer does not start up at the end of this period.• The freezer is in the defrost cycle. This is normal for a full-automatically defrosting freezer. The defrosting cycle occurs periodically.• Your freezer is not plugged into the socket. Make sure that the plug fits properly into the socket.• Are the temperature adjustments correctly made?• The power might be cut off.
The freezer is running frequently or for a long time.

<ul style="list-style-type: none"> • Your new product may be wider than the previous one. This is quite normal. Large freezers operate for a longer period of time. • The ambient room temperature may be high. This is quite normal. • The freezer might have been plugged in recently or might have been loaded with food. Cooling down of the freezer completely may last for a couple of hours longer. • Large amounts of hot food might have been put in the freezer recently. Hot food causes longer running of the freezer until it reaches the safe storage temperature. • The door might have been opened frequently or left ajar for a long time. The warm air that has entered into the freezer causes the freezer to run for longer periods of time. Open the door less frequently. • The freezer door might have been left ajar. Check if the door is tightly closed. • The freezer is adjusted to a very low temperature. Adjust the freezer temperature to a warmer degree and wait until the temperature is achieved. • The door seal of the freezer may be soiled, worn out, broken or not placed properly. Clean or replace the seal. A damaged or broken sea causes the freezer to run for a longer period of time in order to maintain the current temperature.
The food kept in the fridge compartment drawers are freezing.
<ul style="list-style-type: none"> • The fridge temperature might have been adjusted to a very low temperature. Adjust the fridge temperature to a warmer degree and check.
The temperature in the freezer is very high.
<ul style="list-style-type: none"> • The fridge temperature might have been adjusted to a very high degree. Change the temperature of the freezer until the freezer temperature reaches to a sufficient level. • The door might have been opened frequently or left ajar for a long time; open it less frequently. • The door might have been left ajar; close the door completely. • Large amount of hot food might have been put in the refrigerator recently. Wait until the fridge reaches the desired temperature. • The refrigerator might have been plugged in recently. Cooling down of the refrigerator completely takes time.
The operation noise increases when the refrigerator is running.
<ul style="list-style-type: none"> • The operating performance of the refrigerator may change due to the changes in the ambient temperature. It is normal and not a fault.
Vibrations or noise.
<ul style="list-style-type: none"> • The floor is not level or it is weak. The refrigerator rocks when moved slowly. Make sure that the floor is strong enough to carry the freezer, and that the floor is level. • The noise may be caused by the items put onto the refrigerator. Items on top of the refrigerator should be removed.

There are noises coming from the refrigerator like liquid spilling or spraying.
<ul style="list-style-type: none"> Liquid and gas flows happen in accordance with the operating principles of your refrigerator. It is normal and not a fault.
There is a noise like wind blowing.
<ul style="list-style-type: none"> Fans are used in order to cool the refrigerator. It is normal and not a fault.
Condensation on the inner walls of the refrigerator.
<ul style="list-style-type: none"> Hot and humid weather increases icing and condensation. It is normal and not a fault. The door might have been left ajar; make sure that the door is closed fully. The door might have been opened frequently or left ajar for a long time; open it less frequently.
Humidity occurs on the outside of the refrigerator
<ul style="list-style-type: none"> There might be humidity in the air; this is quite normal in humid weather. When the humidity is less, condensation will disappear.
A bad odor inside the refrigerator.
<ul style="list-style-type: none"> The interior of the refrigerator must be cleaned. Clean the the interior of the refrigerator with a sponge, lukewarm water or carbonated water. Some containers or packaging might cause the smell. Use a different container or different brand packaging..
The door is not closing.
<ul style="list-style-type: none"> Food packaging may prevent the door from closing. Replace the packaging that are obstructing the door. The refrigerator is not completely upright on the floor and rocking when slightly moved. Adjust the elevation screws. The floor is not level or strong. Make sure that the floor is level and capable to carry the refrigerator.
The vegetable drawers are stuck.
<ul style="list-style-type: none"> The food might be touching the ceiling of the drawer. Rearrange food in the drawer.