

GRAM

KS 3215-90

Refrigerator

User Guide



Please read this user guide first!

Dear customer,

Your product has been produced in modern plants and checked under the most meticulous quality control and we hope that your product, will provide you with an effective service.

We recommend you to carefully read the entire user guide before using your product and to keep the user guide at hand for future references.


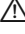

This user guide

- Will help you to use your appliance in a fast and safe way.
- Read the user guide before installing and operating your product.
- Follow the instructions, especially those for safety.
- Keep the user guide in an easily accessible place as you may need it later.
- Besides, read also the other documents provided with your product.

Please note that this user guide may be valid for other models as well.

Symbols and their descriptions

This user guide contains the following symbols:

-  Important information or useful tips.
-  Warning against dangerous conditions for life and property.
-  Warning against electric voltage.



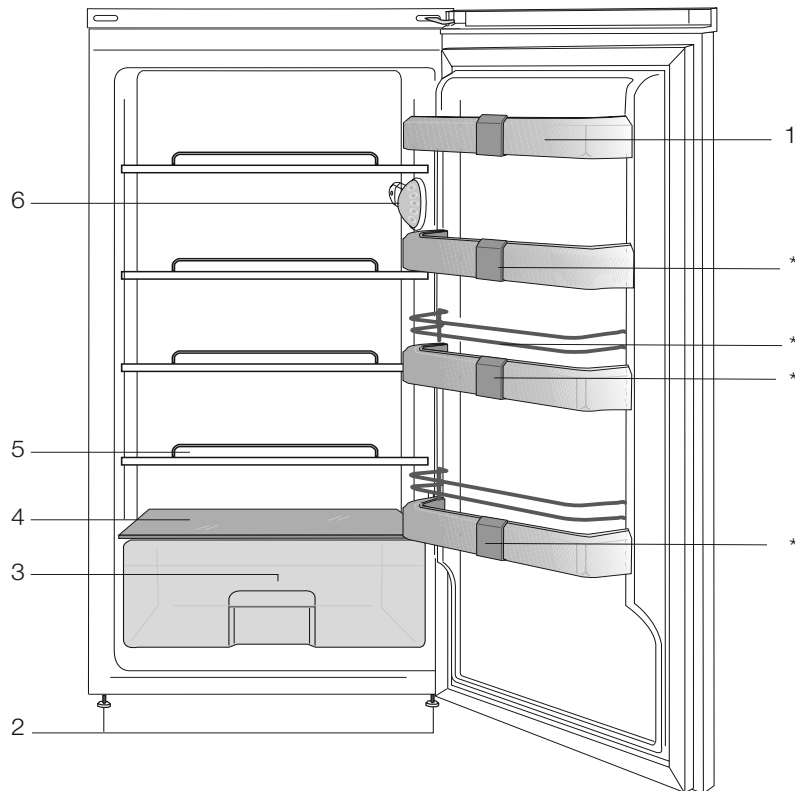
This product is supplied with the selective sorting symbol for waste electrical and electronic equipment (WEEE).

This means that this product must be handled pursuant to European Directive 2002/96/EC in order to be recycled or dismantled to minimise its impact on the environment. For further information, please contact your local or regional authorities.

Electronic products not included in the selective sorting process are potentially dangerous for the environment and human health due to the presence of hazardous substances.

1 Your refrigerator	3	5 Using your refrigerator	12
2 Important information	4	Setting the operating temperature ...	12
Intended use	4	Using the interior compartments.....	12
General safety	4	Cooling.....	12
Child safety.....	5	Defrost	13
Energy-saving precautions.....	6	Turning off your product.....	13
HCA Warning	6	6 Maintenance and cleaning	14
3 Installation	7	Protection of plastic surfaces	14
Points to be considered when re-transporting your refrigerator	7	7 Recommended solutions for the problems	15
Before operating your refrigerator	7		
Disposing of the packaging	8		
Disposing of your old refrigerator	8		
Placing and installation	8		
Replacing the interior light bulb	9		
Changing the door opening direction	10		
4 Preparation	11		

1 Your refrigerator



1. Adjustable door shelves
2. Adjustable front feet
3. Vegetable drawers
4. Glass shelf
5. Removable shelves
6. Light bulb and thermostat control

* OPTIONAL

i The equipment in the above illustration may not correspond exactly to your product. If the equipment is not included in the product you have purchased, then it is valid for other models.

2 Important information

Please read through the following information. If this information is not followed, personal injury or material damage may occur and all warranty and reliability commitments will become invalid.

Intended use

- This product is designed for domestic use.
- It should not be used outdoors. It is not appropriate to use it outdoor even if the place is covered with a roof.

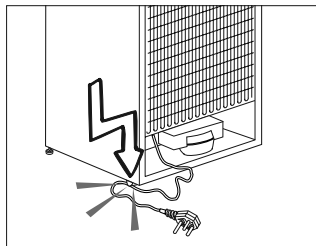
General safety

- When this product is worn out you must not treat as household waste. Instead it has to be handed over to the existing place of collection for the recycling of electrical and electronic equipment.
- Consult GRAM service in connection with your questions and problems related to the refrigerator.
- Vapor and vaporized cleaning materials should never be used in connection with the cleaning and defrosting of your refrigerator. In such cases, the vapor might get in contact with the electrical parts and cause short circuit or electric shock.
- Never use the equipment from your refrigerator such as the door as a support or a step.
- Do not use electrical devices inside the refrigerator.
- Do not damage the cooling circuit, where the refrigerant is circulating, with drilling or cutting tools. The refrigerant that might blow out when

the gas channels of the evaporator, pipe extensions or surface coatings are punctured may cause skin irritations and eye injuries.

- Do not cover or block the ventilation holes on your refrigerator with any material.
- Repairs of the refrigerator must only be made by authorised technicians. Repairs performed by unauthorised people may cause a risk for the user.
- In case of any failure, maintenance or repair disconnect your refrigerator's mains supply by either turning off the relevant fuse or by unplugging your appliance.
- Do not pull the cable when pulling out the plug.
- Flammable items or products that contain flammable gases such as spray as well as explosive materials must never be kept in the appliance.
- Do not use mechanical devices or other means to accelerate the defrosting process, others than those recommended by the manufacturer.
- Do not operate a damaged refrigerator. Consult GRAM service if you have any doubts.
- Electrical safety of your refrigerator will only be covered by the guarantee if the earth system in your house complies with the standards.
- Exposing the product to rain, snow, sun and wind is dangerous with respect to the electrical safety.
- Contact GRAM service when there is a power cable damage and etc. so that it will not create a danger for you.

- Never plug the refrigerator into the outlet during installation or a risk of death or serious injury may occur.
- This refrigerator is designed solely for storing food. It should not be used for any other purposes.
- The label that describes the technical specification of the product is located on the inner left side of the refrigerator.
- Do not connect the refrigerator to electronic energy saving systems which turn off the electricity as they may damage the product.
- If the power supply is disconnected in manually controlled refrigerators please wait for at least 5 minutes before reconnecting the power.
- This user guide should be passed to the next owner of the refrigerator if the ownership changes.
- When moving the refrigerator make sure that you do not damage the power cord. In order to prevent fire the power cord must not be twisted. Heavy objects must not be placed on the power cord. When the refrigerator is plugged into the socket do not touch the power outlet with wet hands.
- Do not spray inflammable materials such as propane gas etc near the refrigerator due to the risk of fire and explosion.
- Do not place objects filled with water on top of the refrigerator as it may result in electric shock or fire.
- Do not overload the refrigerator with excess food. The excess food may fall out when the door is opened resulting in injuring you or damaging the refrigerator. Do not place objects on top of the refrigerator as the objects may fall down when opening or closing the refrigerator door.
- If the refrigerator will not be operated for an extended period of time it should be unplugged. A problem in the electrical cable insulation may result in fire.
- The tip of the electric plug should be cleaned regularly otherwise it may cause fire.
- The refrigerator may move when the adjustable legs are not positioned firmly on the floor. By using the adjustable legs you can ensure that the refrigerator is positioned firmly on the floor.
- Do not pull the refrigerator by the door handle when moving the product as it may disconnect the handle from the refrigerator.



- Do not connect the refrigerator if the electric outlet is loose.
- Do not splash water directly on the outer or inner parts of the refrigerator.

Child safety

- Children should be supervised to ensure that they do not play with the appliance which the unit is placed.

Energy-saving precautions

- Do not leave the door of your refrigerator open for a long time.
- Do not overload your refrigerator so that the air circulation inside of it is not prevented.
- Do not install your refrigerator under direct sunlight or near heat emitting appliances such as ovens, dishwashers or radiators.
- Pay attention to keep your food in closed containers.

HCA Warning

This product is equipped with a cooling system that contains R600a:

This gas is flammable. Therefore, pay attention not to damage the cooling system and piping during usage and transportation. In the event of damage, keep your product away from potential fire sources that can cause the product catch a fire and ventilate the room in

3 Installation

⚠ Please remember that the manufacturer shall not be held liable if the information in the user guide is not observed.

Points to be considered when re-transporting your refrigerator

1. Your refrigerator must be emptied and cleaned prior to any transportation.
2. Shelves, accessories, and etc. have to be fastened securely by adhesive tape against any jolt before repackaging.
3. Packaging must be tied with thick tapes and strong ropes and the rules of transportation printed on the package must be followed.

Please do not forget...

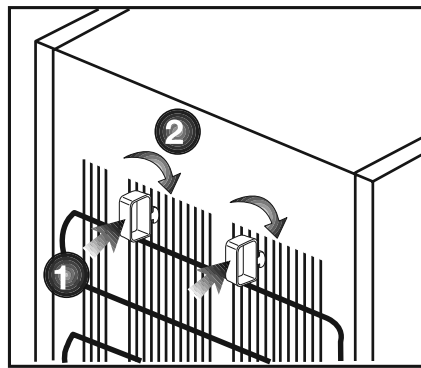
That recycled material is an indispensable source for the nature and for our national resources.

If you would like to contribute to the recycling of the packaging materials, you can get further information from the environmental bodies or local authorities.

Before operating your refrigerator

Before starting to use your refrigerator check the following:

1. The interior of the refrigerator has to be dry and it is possible for the air to circulate freely at the back of the appliance.
2. You can install the 2 spacers as illustrated in the figure below. The spacers will provide the required distance between your refrigerator



and the wall in order to allow the air circulation (The illustrated figure is only an example and does not match exactly with your product).

3. Clean the interior of the refrigerator as recommended in the "Maintenance and cleaning" section.
4. Plug the refrigerator into the outlet. When the door is open the interior light in the refrigerator compartment will be switched on.
5. You will hear a noise as the compressor starts up. The liquid and gases sealed within the refrigeration system may also give rise to noise, even if the compressor is not running and this is quite normal.
6. The front edges of the refrigerator may feel warm. This is normal. These areas are designed to be warm to avoid condensation.

Electric connection

Connect your product to a grounded socket which is protected by a fuse with the appropriate capacity.

Important:

- The connection must be in accordance with with national regulations.
- The power cable plug must be easily accessible after installation.
- Extension cords and connector sockets with several plugs must not be used for connection.

⚠ A damaged power cable must be replaced by a qualified electrician.

⚠ The product must not be operated before it is repaired! There is danger of electric shock!

Disposing of the packaging

The packaging may be dangerous for children. Keep it out of the reach of children or dispose of it by classifying it in accordance with the waste instructions. Do not dispose of it with the normal household waste.

The packaging of your refrigerator is made from recyclable materials.

Disposing of your old refrigerator

Dispose of your old refrigerator without harming the environment.

- You may consult your authorized retailer or the recycling depot in your municipality about the disposal of your refrigerator.

Before disposing of your refrigerator, cut out the electric plug and, if there are any locks on the door, make them

inoperable in order to protect children against any danger.

Placing and installation

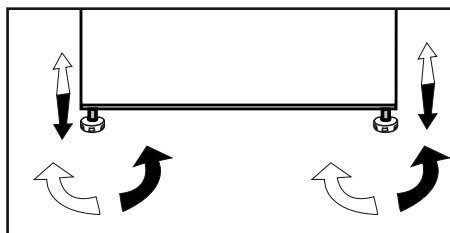
1. Keep your refrigerator away from heat sources, humid places and direct sunlight.

2. There must be appropriate air ventilation around your refrigerator in order to achieve an efficient operation.

3. Do not keep your refrigerator in ambient temperatures under 10°C.

Adjusting the legs

If the refrigerator is not in balance you can balance by turning the front legs as illustrated in the drawing. The right corner will be lowered when you turn the leg in the same direction as the black arrow and lifted when you turn the leg in the opposite direction. It will be easier for you to turn the legs if you get help from someone to lift the refrigerator.



Replacing the interior light bulb

If the lights should fail to work, proceed as follows.

1- Switch the refrigerator off at the socket outlet and pull out the mains plug.

You may find it useful to remove the shelves for easy access.

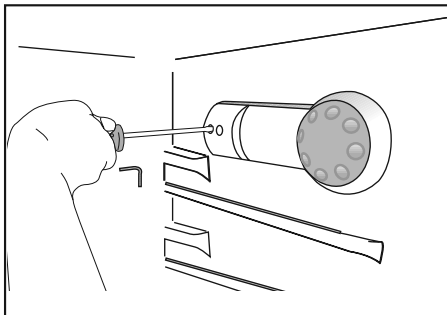
2- Use a flat tipped screwdriver to remove the light diffuser cover.

3- First check that the bulb hasn't worked loose by ensuring that it is screwed securely in the holder. Replace the plug and switch the refrigerator on.

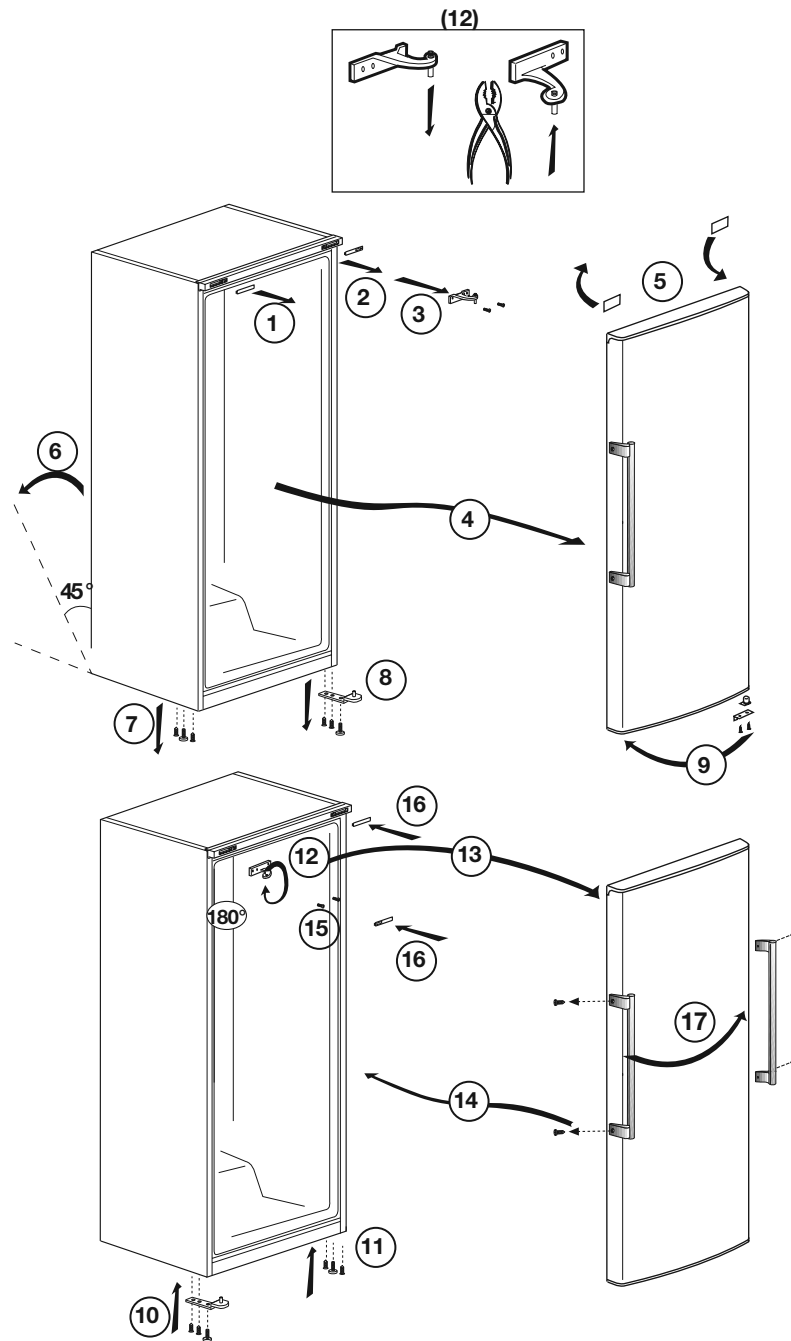
If the bulb works, replace the light cover by inserting the rear lug and pushing up to locate the front two lugs.

4- If the light still fails to work, switch the refrigerator off at the socket outlet and pull out the mains plug. Replace the bulb with a new 15 watt (max) screw cap (SES) bulb.

5- Carefully dispose of the burnt-out light bulb immediately.



Changing the door opening direction



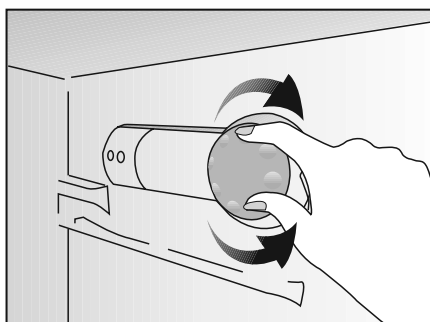
4 Preparation

- i** Your refrigerator should be installed at least 30 cm away from heat sources such as hobs, ovens, central heater and stoves and at least 5 cm away from electrical ovens and should not be located under direct sunlight.
- i** The ambient temperature of the room where you install your refrigerator should at least be 10°C. Operating your refrigerator under cooler conditions is not recommended with regard to its efficiency.
- i** Please make sure that the interior of your refrigerator is cleaned thoroughly.

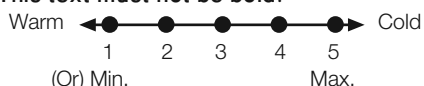
- i** When you operate your refrigerator for the first time, please observe the following instructions during the initial six hours:
 - The door should not be opened frequently.
 - It must be operated empty without any food in it.
 - Do not unplug your refrigerator. If a power failure occurs out of your control, please see the warnings in the "Recommended solutions for the problems" section.
- i** Original packaging and foam materials should be kept for future transportations or moving.

5 Using your refrigerator

Setting the operating temperature



This text must not be bold!



1 = Lowest cooling setting (Warmest setting)

5 = Highest cooling setting (Coldest setting)

(Or)

Min. = Lowest cooling setting (Warmest setting)

Max. = Highest cooling setting (Coldest setting)

The average temperature inside the fridge should be around +5°C.

Please choose the setting according to the desired temperature.

You can turn off your device by adjusting the thermostat control to the "0" position.

Please note that there will be different temperatures in the cooling area.

The coldest area is just above the vegetable compartment.

The interior temperature also depends on the ambient temperature, the

frequency with which the door is opened and the amount of food kept inside.

Frequently opening the door causes the interior temperature to rise.

For this reason, it is recommended to close the door again as soon as possible after use.

Using the interior compartments

Moveable shelves: The distance between the shelves can be adjusted when necessary.

Vegetable drawer: For the storage of fruit and vegetables. **Bottle shelf:** Bottles, jars and tins can be placed on this shelf.

Cooling

Food storage

The fridge compartment is for the short-term storage of fresh food and drinks.

Store milk products in the intended compartment in the refrigerator.

Bottles can be stored in the bottle holder or in the bottle shelf of the door.

Raw meat is best kept in a polyethylene bag in the compartment at the very bottom of the refrigerator.

- Attention

Do not store explosive substances or containers with flammable propellant gases (such as canned cream, spray cans etc.) in the device. There is a danger of explosion.

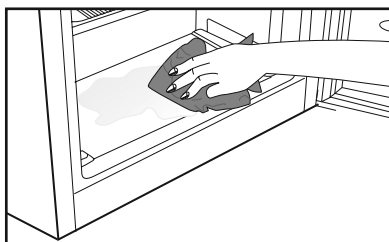
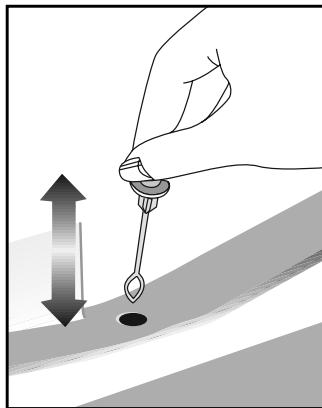
Defrost

The fridge compartment defrosts automatically. The thawing water flows through the drain channel into a collection container at the rear of the device.

During defrosting, water droplets form at the back of the fridge due to the evaporator.

If not all of the drops run down, they may freeze again after defrosting and they can be removed with a cloth soaked in warm water, but never with a hard or sharp object.

Check the flow of the thawed water from time to time. It may occasionally become blocked.



Turning off your product

If your thermostat control is equipped with the "0" position:

- Your product will stop operating when you turn the thermostat control to the "0" position. Your product will not start unless you turn the thermostat control to the position "1" or one of the other positions again.

If your thermostat control is equipped with "min" position:

- Unplug your product to turn it off.

6 Maintenance and cleaning

- ⚠ Never use gasoline, benzene or similar substances for cleaning purposes.
- ⚠ We recommend that you unplug the appliance before cleaning.
- ⚠ Never use any sharp abrasive instrument, soap, household cleaner, detergent and wax polish for cleaning.
- ℹ Use lukewarm water to clean the cabinet of your refrigerator and wipe it dry.
- ℹ Use a damp cloth wrung out in a solution of one teaspoon of bicarbonate of soda to one pint of water to clean the interior and wipe it dry.
- ⚠ Make sure that no water enters the lamp housing and other electrical items.
- ⚠ If your refrigerator is not going to be used for a long period of time, unplug the power cable, remove all food, clean it and leave the door ajar.
- ℹ Check door seals regularly to ensure they are clean and free from food particles.
- ⚠ To remove door racks, remove all the contents and then simply push the door rack upwards from the base.

Protection of plastic surfaces

- ℹ Do not put liquid oils or oil-cooked meals in your refrigerator in unsealed containers as they may damage the plastic surfaces of your refrigerator. In case of spilling or smearing oil on the plastic surfaces, clean and rinse the relevant part of the surface at once with warm water.

7 Recommended solutions for the problems

Please review this list before calling the GRAM service. It might save you time and money. This list includes frequent complaints that are not arising from defective workmanship or material usage. Some of the features described here may not exist in your product.

The refrigerator does not operate.
<ul style="list-style-type: none">• Is the refrigerator properly plugged in? Insert the plug to the wall socket.• Is the fuse of the socket which your refrigerator is connected to or the main fuse blown out? Check the fuse.
Condensation on the side wall of the fridge compartment.
<ul style="list-style-type: none">• Very cold ambient conditions. Frequent opening and closing of the door. Highly humid ambient conditions. Storage of food containing liquid in open containers. Leaving the door ajar. Switching the thermostat control to a colder temperature.• Decreasing the time the door is left open or using it less frequently.• Covering the food stored in open containers with a suitable material.• Wipe the condensation using a dry cloth and check if it persists.
The compressor is not running
<ul style="list-style-type: none">• In case of an electrical cut the refrigerator cannot start up right away as the compressor has to balance the refrigerant pressure in the cooling system of the refrigerator. The alignment of the refrigerant pressure will lead to a postponement of the start up by 6 minutes. Please contact GRAM service if the refrigerator does not start up at the end of this period.• The refrigerator is in the defrost cycle. This is normal for a full-automatically defrosting refrigerator. The defrosting cycle occurs periodically.• Your refrigerator is not plugged into the socket. Make sure that the plug is fits properly into the socket.• Are the temperature adjustments correctly made?• The power might be cut off.

The fridge is running frequently or for a long time.
<ul style="list-style-type: none"> • Your new product may be wider than the previous one. This is quite normal. Large refrigerators operate for a longer period of time. • The ambient room temperature may be high. This is quite normal. • The refrigerator might have been plugged in recently or might have been loaded with food. Cooling down of the refrigerator completely may last for a couple of hours longer. • Large amounts of hot food might have been put in the refrigerator recently. Hot food causes longer running of the refrigerator until it reaches the safe storage temperature. • The door might have been opened frequently or left ajar for a long time. The warm air that has entered into the refrigerator causes the refrigerator to run for longer periods of time. Open the door less frequently. • The fridge compartment door might have been left ajar. Check if the door is tightly closed. • The refrigerator is adjusted to a very low temperature. Adjust the refrigerator temperature to a warmer degree and wait until the temperature is achieved. • The door seal of the refrigerator may be soiled, worn out, broken or not placed properly. Clean or replace the seal. A damaged or broken seal causes the refrigerator to run for a longer period of time in order to maintain the current temperature.
The food kept in the fridge compartment drawers is freezing.
<ul style="list-style-type: none"> • The fridge temperature might have been adjusted to a very low temperature. Adjust the fridge temperature to a warmer degree and check it again.
The temperature in the fridge is very high.
<ul style="list-style-type: none"> • The fridge temperature might have been adjusted to a very high degree. Change the temperature of the fridge until the fridge temperature reaches a sufficient level. • The door might have been opened frequently or left ajar for a long time; open it less frequently. • The door might have been left ajar; close the door completely. • Large amount of hot food might have been put in the refrigerator recently. Wait until the fridge reaches the desired temperature. • The refrigerator may have been plugged in recently. Cooling down of the refrigerator completely takes time.
The operation noise increases when the refrigerator is running.
<ul style="list-style-type: none"> • The operating performance of the refrigerator may change due to the changes in the ambient temperature. It is normal and not a fault.

Vibrations or noise.
<ul style="list-style-type: none"> The floor is not level or it is weak. The refrigerator rocks when moved slowly. Make sure that the floor is strong enough to carry the refrigerator, and that the floor is level. The noise may be caused by the items put onto the refrigerator. Items on top of the refrigerator should be removed.
There are noises coming from the refrigerator like liquid spilling or spraying.
<ul style="list-style-type: none"> Liquid and gas flows happen in accordance with the operating principles of your refrigerator. It is normal and not a fault.
There is a noise like wind blowing.
<ul style="list-style-type: none"> Fans are used in order to cool the refrigerator. It is normal and not a fault.
Condensation on the inner walls of the refrigerator.
<ul style="list-style-type: none"> Hot and humid weather increases icing and condensation. It is normal and not a fault. The door might have been left ajar; make sure that the door is closed properly The door might have been opened frequently or left ajar for a long time; open it less frequently.
Humidity occurs on the outside of the refrigerator or between the door.
<ul style="list-style-type: none"> There might be humidity in the air; this is quite normal in humid weather. When the humidity is less, the condensation will disappear.
A bad odor inside the refrigerator.
<ul style="list-style-type: none"> The inside of the refrigerator must be cleaned. Clean the inside of the refrigerator with a sponge, lukewarm water or carbonated water. Some containers or packaging might cause the smell. Use a different container or different brand of packaging.
The door is not closing.
<ul style="list-style-type: none"> Food packaging may prevent the door from closing. Replace the packages that are obstructing the door. The refrigerator is not completely upright on the floor and rocking when slightly moved. Adjust the legs. The floor is not level or strong. Make sure that the floor is level and capable to carry the refrigerator.
The vegetable drawers are stuck.
<ul style="list-style-type: none"> The food might be touching the ceiling of the drawer. Rearrange the food in the drawer.