

# GRAM

FS3286-90N/NX

Freezer

User Guide



### **Please read this user guide first!**

Dear customer,

Your product has been produced in modern plants and checked under the most meticulous quality control and we hope that your product, will provide you with an effective service.

We recommend you to carefully read the entire user guide before using your product and to keep the user guide at hand for future references.


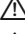
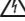
### **This user guide**

- Will help you to use your appliance in a fast and safe way.
- Read the user guide before installing and operating your product.
- Follow the instructions, especially those for safety.
- Keep the user guide in an easily accessible place as you may need it later.
- Besides, read also the other documents provided with your product.

Please note that this user guide may be valid for other models as well.

### **Symbols and their descriptions**

This user guide contains the following symbols:

-  Important information or useful tips.
-  Warning against dangerous conditions for life and property.
-  Warning against electric voltage.



This product is supplied with the selective sorting symbol for waste electrical and electronic equipment (WEEE).

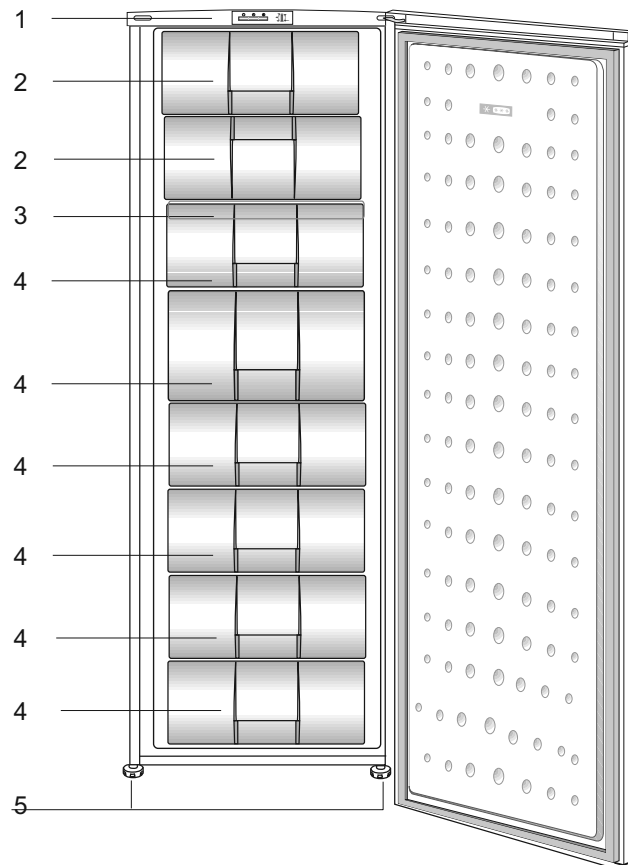
This means that this product must be handled pursuant to European Directive 2002/96/EC in order to be recycled or dismantled to minimise its impact on the environment. For further information, please contact your local or regional authorities.

Electronic products not included in the selective sorting process are potentially dangerous for the environment and human health due to the presence of hazardous substances.

<b>1 Your freezer</b>	<b>4</b>	<b>4 Preparation</b>	<b>12</b>
<b>2 Important information</b>	<b>5</b>	<b>5 Using your freezer</b>	<b>13</b>
Intended use .....	5	Setting the operating temperature ...	13
General safety .....	5	Making ice cubes .....	13
Child safety.....	7	Fast freeze.....	14
HCA Warning .....	7	Indicator lights .....	15
Energy-saving precautions.....	7		
<b>3 Installation</b>	<b>8</b>	<b>6 Maintenance and cleaning</b>	<b>16</b>
Points to be considered when re-transporting your freezer.....	8	Protection of plastic surfaces .....	16
Before operating your freezer.....	8		
Before starting to use your freezer check the following: .....	8	<b>7 Recommended solutions for the problems</b>	<b>17</b>
Disposing of the packaging .....	9		
Disposing of your old freezer .....	9		
Dispose of your old freezer without harming the environment. ....	9		
Placing and Installation .....	9		
Adjusting the legs .....	10		
Changing the door opening direction	11		

## 1 Your freezer

---



1. Control Panel
2. Flap (Fast-Freeze compartment)
3. Ice cube tray support and ice cube tray
4. Drawers
5. Adjustable front legs

## 2 Important information

---

Please read through the following information. If it is not followed, personal injury or material damage may occur and all warranty and reliability commitments will become invalid.

### Intended use

- This product is designed for domestic use.
- It should not be used outdoors. It is not appropriate to use it outdoor even if the place is covered with a roof.

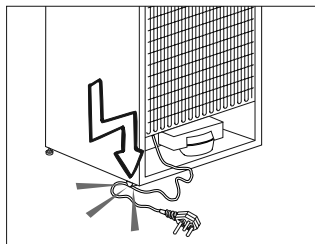
### General safety

- When this product is worn-out you must not treat it as household waste. Instead it has to be handed over to the existing place of collection for the recycling of electrical and electronic equipment.
- Consult GRAM service for all your questions and problems related to the freezer.
- Vapor and vaporized cleaning materials should never be used in connection with the cleaning and defrosting of your freezer. In such cases, the vapor might get in contact with the electrical parts and cause short circuit or electric shock.
- Do not use electrical devices inside the freezer.
- Do not damage the cooling circuit, where the refrigerant is circulating, with drilling or cutting tools. The refrigerant that might blow out when

the gas channels of the evaporator, pipe extensions or surface coatings are punctured may cause skin irritations and eye injuries.

- Do not cover or block the ventilation holes on your freezer with any material.
- Repairs of the electrical parts must only be made by authorised technicians. Repairs performed by unauthorised people may cause a risk for the user.
- In case of any failure, maintenance or repair, disconnect your freezer's mains supply by either turning off the relevant fuse or by unplugging your appliance.
- Do not pull the cable when pulling out the plug.
- Flammable items or products that contain flammable gases (e.g. spray) as well as explosive materials must never be kept in the appliance.
- Do not use mechanical devices or other means to accelerate the defrosting proces, other than those recommended by the manufacturer.
- Do not operate a damaged freezer. Consult GRAM service if you have any doubts.
- Electrical safety of your freezer will only be covered by the guarantee if the earth system in your house complies with standards.
- Exposing the product to rain, snow, sun and wind is dangerous with respect to electrical safety.

- Contact GRAM service when there is a power cable damage and etc. so that it will not create a danger for you.
- Never plug the freezer into the outlet during installation or a risk of death or serious injury may occur.
- This freezer is only designed for storing food. It should not be used for any other purposes.
- The label that describes the technical specification of the product is located on the inner left side of the freezer.
- Do not connect the freezer to electronic energy saving systems which turn off the electricity as they may damage the product.
- If the power supply is disconnected in manually controlled freezers please wait for at least 5 minutes before reconnecting the power.
- This user guide should be passed to the next owner of the freezer if the ownership changes.
- When moving the freezer make sure that you do not damage the power cord. In order to prevent fire the power cord must not be twisted. Heavy objects should not be placed on the power cord. When the freezer is plugged into the socket do not touch the power outlet with wet hands.
- Do not connect the freezers if the electric outlet is loose.
- Do not splash water directly on the outer or inner parts of the freezer.
- Do not spray inflammable materials such as propane, gas, etc., near the freezer due to the risk of fire and explosion.
- Do not place objects filled with water on top of the freezer as it may result in electric shock or fire.
- Do not overload the freezer with excess food. The excess food may fall out when the door is opened resulting in injuring you or damaging the freezer. Do not place objects on top of the freezer as the objects may fall out when opening or closing the freezer door.
- If the freezer will not be operated for an extended period of time it should be unplugged. A problem in the electrical cable insulation may result in fire.
- The tip of the electric plug should be cleaned regularly. Otherwise it may cause fire.
- The freezer may move when the adjustable legs are not positioned firmly on the floor. By using the adjustable legs you can ensure that the freezer is positioned firmly on the floor.
- Do not pull the freezer by the door handle when moving the product as it may disconnect the handle from the freezer.
- If you want to place two products side by side, e.g. a refrigerator and a freezer, as a side by side solution you have to use a



decoration kit which contains a small mat and a decoration part. The mat is mounted the side of one of the products to create a space between the products. The decoration part is placed between the products to hide the gap between the products (Fig. 2). The decoration kit is not a part of the product but can be delivered as an accessory.

### **Child safety**

- Children should be supervised to ensure that they do not play with the appliance

### **HCA Warning**


- **This product is equipped with a cooling system that contains R600a:**

This gas is flammable. Therefore, pay attention not to damage the cooling system and piping during usage and transportation. In the event of damage, keep your product away from potential fire sources that can cause the product to catch a fire and ventilate the room in which the unit is placed.

### **Energy-saving precautions**

- Do not leave the door of your freezer open for a long time.
- Do not overload your freezer so that the air circulation inside of it is not prevented.
- Do not install your freezer under direct sunlight or near heat emitting appliances such as ovens, dishwashers or radiators.
- Pay attention to keep your food in closed containers.

### 3 Installation

 Please remember that the manufacturer shall not be held liable if the information given in the user guide is not observed.

#### Points to be considered when re-transporting your freezer

1. Your freezer must be emptied and cleaned prior to any transportation.
2. Shelves, accessories, etc. have to be fastened securely by adhesive tape against any jolt before packaging the freezer.
3. The packaging must be tied with thick tapes and strong ropes and the rules of transportation printed on the package must be followed.

#### Please do not forget...

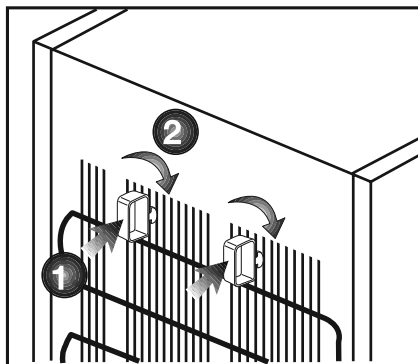
That recycled material is an indispensable source for the nature and for our national resources. If you would like to contribute to the recycling of the packaging materials, you can get further information from the environmental bodies or local authorities.

#### Before operating your freezer

Before starting to use your freezer check the following:

1. The interior of the freezer has to be dry and it is possible for the air to circulate freely at the back of the appliance.

2. You can install the 2 spacers as illustrated in the figure. The spacers will provide the required distance between your freezer and the wall in order to allow the air to circulate. (The illustrated figure is only an example and does not match exactly with your product.)



3. Clean the interior of the freezer as recommended in the "Maintenance and cleaning" section.
4. Plug the freezer into the outlet. When the door is open the interior light in the freezer compartment will be switched on.
5. You will hear a noise as the compressor starts up. The liquid and gases sealed within the refrigeration system may also give rise to noise, even if the compressor is not running and this is quite normal.
6. The front edges of the freezer may feel warm. This is normal. These areas are designed to be warm to avoid condensation.




## Electric connection

Connect your product to a grounded socket which is being protected by a fuse with the appropriate capacity.

Important:

- The connection must be in accordance with the national regulations.
- The power cable plug must be easily accessible after installation.
- Extension cords and sockets with several plugs must not be used for connection.

 A damaged power cable must be replaced by an authorised electrician.

## Disposing of the packaging

The packaging may be dangerous for children. Keep it out of the reach of children or dispose of it by classifying it in accordance with the waste instructions. Do not dispose of it together with the normal household waste.

The packaging from your freezer is made from recyclable materials.

## Disposing of your old freezer

Dispose of your old freezer without harming the environment.

- You may consult your authorised retailer or the recycling depot in your municipality about the disposal of your freezer.

Before disposing of your freezer, cut out the electric plug and, if there are any locks on the door, make them inoperable in order to protect children from any danger.

## Placing and Installation

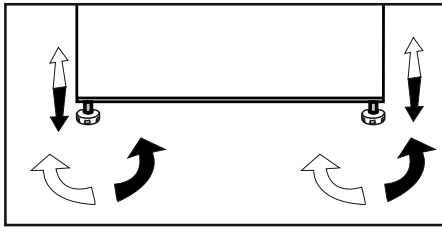
1. There must be appropriate air ventilation around your freezer in order to achieve an efficient operation.

2. Place your freezer on a level floor to prevent jolts.

3. Do not keep your freezer in ambient temperatures under 10°C.

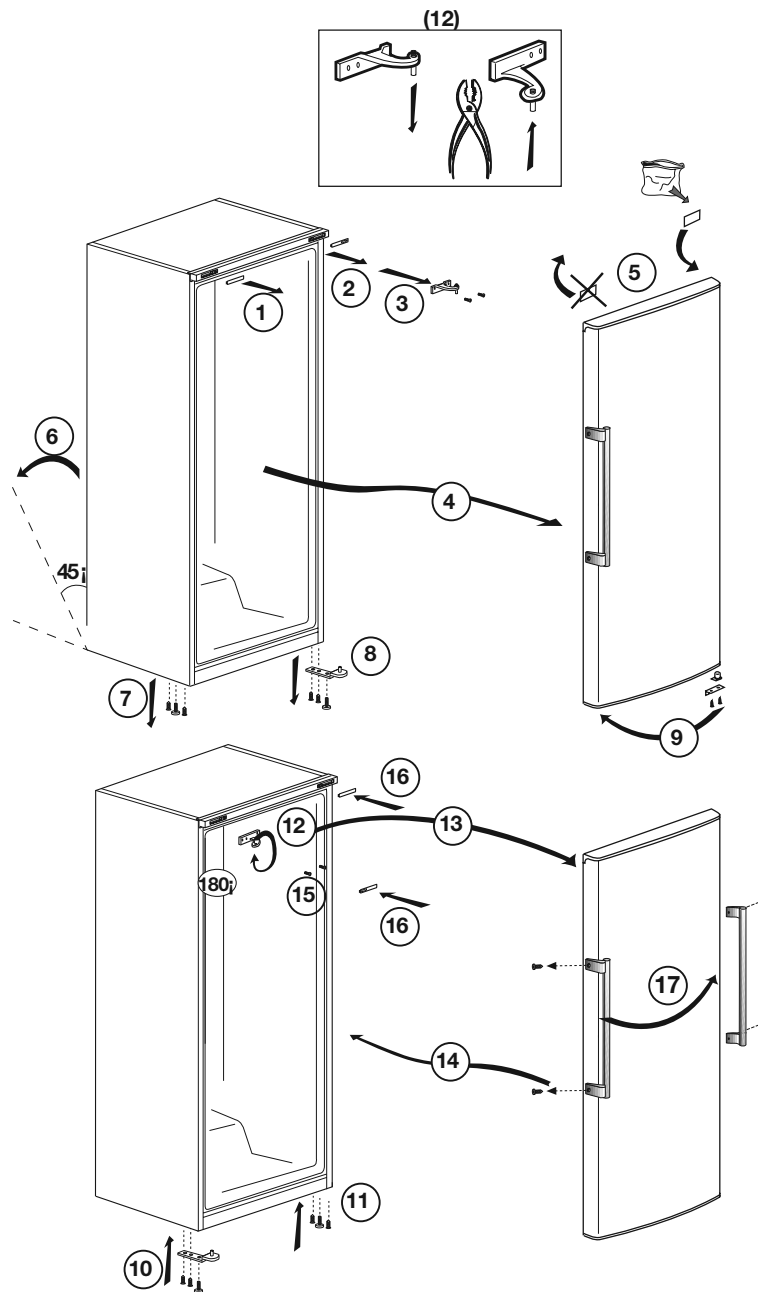
## Adjusting the legs

If your freezer is unbalanced you can balance the freezer by turning the front legs as shown in the illustration below. The corner where the leg is placed is lowered when you turn the leg in the direction of the black arrow and raised when you turn the leg in the opposite direction. Getting help from someone to slightly lift the freezer will facilitate this process.



## Changing the door opening direction

Proceed in numerical order .



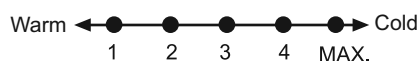
## 4 Preparation

---

- i** Your freezer should be installed at least 30 cm away from heat sources such as hobs, ovens, central heater and stoves and at least 5 cm away from electrical ovens and should not be located under direct sunlight.
- i** The ambient temperature of the room where you install your freezer should be at least 10°C. Operating your freezer under cooler conditions is not recommended with regard to its efficiency.
- i** Please make sure that the interior of your freezer is cleaned thoroughly.
- i** If you want to place two products side by side, e.g. a refrigerator and a freezer, as a side by side solution you have to use a decoration kit which contains a small mat and a decoration part. The mat is mounted the side of one of the products to create a space between the products. The decoration part is placed between the products to hide the gap between the products (Fig. 2). The decoration kit is not a part of the product but can be delivered as an accessory.
- i** When you operate your freezer for the first time, please observe the following instructions during the initial six hours.
  - The door should not be opened frequently.
  - The appliance must be operated empty without any food in it.
  - Do not unplug your freezer. If a electrical cut occurs out of your control, please see the warnings in the "Recommended solutions for the problems" section.
- i** Original packaging and foam materials should be kept for future transportations or moving.

## 5 Using your freezer

### Setting the operating temperature



The operating temperature is regulated by the temperature control.

1 = Lowest cooling setting  
(Warmest setting)

MAX. = Highest cooling setting  
(Coldest setting)

Please choose the setting which is consistent with the desired temperature.

The interior temperature also depends on ambient temperature, the frequency with which the door is opened and the amount of foods kept inside.

Frequently opening the door causes the interior temperature to rise.

For this reason, it is recommended to close the door as soon as possible after use.

The normal storage temperature of your appliance should be  $-18\text{ }^{\circ}\text{C}$  ( $0\text{ }^{\circ}\text{F}$ ). Lower temperatures can be obtained by adjusting the thermostat control towards the position MAX.

We recommend checking the temperature with a thermometer to ensure that the storage compartments are kept to the desired temperature. Remember to read off the thermometer immediately as the temperature on the thermometer will rise very rapidly after you remove it from the freezer.

#### **⚠ Attention**

Do not exceed the freezing capacity of your appliance in 24 hours. See the rating label.

In order to maintain the quality of the food, the freezing must take effect as quickly as possible. In this way, the freezing capacity will not be exceeded, and the temperature inside the freezer will not rise.

#### **⚠ Attention**

Always keep the already deep-frozen food separated from freshly placed food.

If you find the freezer door difficult to open just after you have closed it, don't worry. This is due to the pressure difference which will equalize and allow the door to open normally after a few minutes.

You will hear a vacuum sound just after closing the door. This is quite normal.

### Making ice cubes

Fill the ice-cube tray 3/4 full with water and place it in the freezer.

As soon as the water is frozen, you can take out the ice cubes.

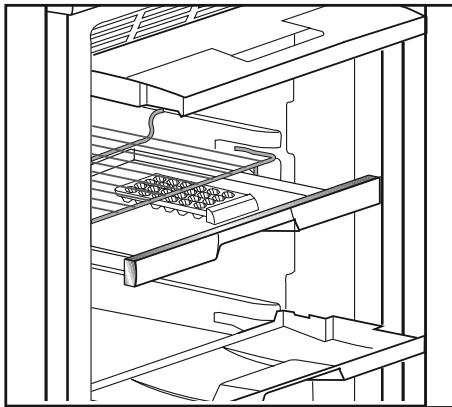
Never use sharp objects such as knives or forks to remove the ice cubes.

There is a risk of injury!

Instead, let the ice cubes slightly thaw, or place the bottom of the tray in hot water for a short moment.

### **Fast freeze**

If large amounts of fresh food are going to be frozen, adjust the thermostat control to the MAX. position. 24 hours before putting the fresh food in the fast freeze compartment.



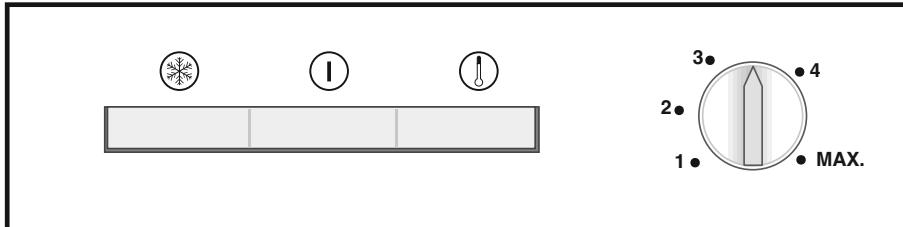
It is strongly recommended to keep the thermostat control at the MAX. position for at least 24 hours to freeze the maximum amount of fresh food stated as the freezing capacity. Take special care not to mix frozen and fresh food.

When the fast freeze switch is on, -27 degrees C will flash for 5 seconds on the display (6). The fast-freeze operation is for freezing fresh food (see the Freezing Food section).

### **Defrosting the appliance**

The appliance defrosts automatically.

## Indicator lights



There are three coloured indicator lights located inside the appliance which show the operating mode of the freezer.

### Orange Indicator

Is turned on when the thermostat control is turned to the MAX. position and stays on until the fast freeze operation is deactivated manually.

### Green Indicator

Is turned on when the freezer is connected to the mains and will stay turned on as long as the power is switched on. The green indicator does not give any indication of the temperature inside the freezer.

### Red Indicator High temperature alarm

After the appliance is turned on for the first time the alarm is not active for 12 hours (The red LED indicator is switched off).

After this period of time the red LED indicator is switched on in the following situations:

- If the appliance is overloaded with fresh food
- If the door is left open by mistake.

In these situations the red LED indicator will continue to be switched on until the appliance reaches the preset

temperature. If the red LED indicator is still switched on then wait for 24 hours before calling GRAM service.

### Thermostat control

The thermostat control is located on the indicator light frame.

### Important:

When you press the fast-freeze switch or adjust the thermostat control there may be a short delay before the compressor starts to operate. This is normal and not a compressor fault.

## 6 Maintenance and cleaning

---

- ⚠ Never use gasoline, benzene or similar substances for cleaning purposes.
- ⚠ We recommend that you unplug the appliance before cleaning.
- ⚠ Never use any sharp abrasive instrument, soap, household cleaner, detergent and wax polish for cleaning.
- ℹ Use lukewarm water to clean the cabinet of your freezer and wipe it dry.
- ℹ Use a damp cloth wrung out in a solution of one teaspoon of sodium bicarbonate to one pint of water to clean the interior and wipe it dry.
- ⚠ Make sure that no water enters the electrical items.
- ⚠ If your freezer is not going to be used for a long period of time, unplug the power cable, remove all food, clean the appliance and leave the door ajar.
- ℹ Check door seals regularly to ensure they are clean and free from food particles.

### Protection of plastic surfaces

- ℹ Do not put the liquid oils or oil-cooked meals in your freezer in unsealed containers as they damage the plastic surfaces of your freezer. In case of spilling or smearing oil on the plastic surfaces, clean and rinse the relevant part of the surface at once with warm water.



## **7 Recommended solutions for the problems**

Please review this list before calling the GRAM service. It might save you time and money. This list includes frequent complaints that have not occurred from defective workmanship or material usage. Some of the features described here may not exist in your product.

The freezer does not operate.
<ul style="list-style-type: none"><li>• Is the freezer properly plugged in? Insert the plug to the wall socket.</li><li>• Is the fuse of the socket or the main fuse blown out? Check the fuse.</li></ul>
Condensation on the side wall of the freezer compartment
<ul style="list-style-type: none"><li>• Very cold ambient conditions. Frequently opening and closing the door. Highly humid ambient conditions. Leaving the door ajar. Switching the thermostat control to a colder degree.</li><li>• Decreasing the time the door is left open or using it less frequently.</li><li>• Wipe the condensation using a dry cloth and check if it persists.</li></ul>
The compressor is not running
<ul style="list-style-type: none"><li>• In case of an electrical cut the freezer cannot start up right away as the compressor has to balance the refrigerant pressure in the cooling system of the freezer. The alignment of the refrigerant pressure will lead to a postponement of the start by 6 minutes. Please contact GRAM service if the refrigerator does not start up at the end of this period.</li><li>• The freezer is in the defrost cycle. This is normal for a full-automatically defrosting freezer. The defrosting cycle occurs periodically.</li><li>• Your freezer is not plugged into the socket. Make sure that the plug fits properly into the socket.</li><li>• Are the temperature adjustments made in the correct way?</li><li>• The power might be cut off.</li></ul>

The freezer is running frequently or for a long time.

- Your new product may be wider than the previous appliance. This is quite normal. Large freezer operate for a longer period of time.
- The ambient room temperature may be high. This is quite normal.
- The freezer might have been plugged in recently or might have been loaded with food. Cooling down of the freezer completely may last for a couple of hours longer.
- Large amounts of hot food might have been put in the freezer recently. Hot food causes longer running of the freezer until it reaches the safe storage temperature.
- The door might have been opened frequently or left ajar for a long time. The warm air that has entered into the freezer causes the freezer to run for longer periods of time. Open the door less frequently.
- The freezer is adjusted to a very low temperature. Adjust the freezer temperature to a warmer degree and wait until the temperature is reached.
- The door seal of the freezer may be soiled, worn out, broken or not placed properly. Clean or replace the seal. Damaged/broken seal causes the freezer to run for a longer period of time in order to maintain the current temperature.

The temperature in the freezer is very high.

- The freezer temperature might have been adjusted to a very high degree. Change the temperature of the freezer until the freezer temperature reaches a sufficient level.
- The door might have been opened frequently or left ajar for a long time; open it less frequently.
- The door might have been left ajar; close the door completely.
- A large amount of hot food might have been put in the freezer recently. Wait until the freezer reaches the desired temperature.
- The freezer might have been plugged in recently. Cooling down of the freezer completely takes time.

The operation noise increases when the freezer is running.
<ul style="list-style-type: none"> <li>The operating performance of the freezer may change due to the changes in the ambient temperature. It is normal and not a fault.</li> </ul>
Vibrations or noise.
<ul style="list-style-type: none"> <li>The floor is not level or it is weak. The freezer rocks when moved slowly. Make sure that the floor is strong enough to carry the freezer, and that the floor is level.</li> <li>The noise may be caused by the items placed on the freezer. Items on top of the freezer should be removed.</li> </ul>
There are noises coming from the freezer like liquid spilling or spraying.
<ul style="list-style-type: none"> <li>Liquid and gas flows happen in accordance with the operating principles of your freezer. It is normal and not a fault.</li> </ul>
There is a noise like wind blowing.
<ul style="list-style-type: none"> <li>Fans are used in order to cool the freezer. It is normal and not a fault.</li> </ul>
Condensation on the inner walls of the freezer.
<ul style="list-style-type: none"> <li>Hot and humid weather increases icing and condensation. It is normal and not a fault.</li> <li>The door might have been left ajar; make sure that the door is closed fully.</li> <li>The door might have been opened frequently or left ajar for a long time; open them less frequently.</li> </ul>
Humidity occurs on the outside of the freezer.
<ul style="list-style-type: none"> <li>There might be humidity in the air; this is quite normal in humid weather. When the humidity is less, condensation will disappear.</li> </ul>
The door is not closing.
<ul style="list-style-type: none"> <li>Food packaging may prevent the door from closing. Replace the packaging that are obstructing the door.</li> <li>The freezer is not completely upright on the floor and rocking when slightly moved. Adjust the legs.</li> <li>The floor is not level or strong. Make sure that the floor is level and capable of carrying the freezer.</li> </ul>